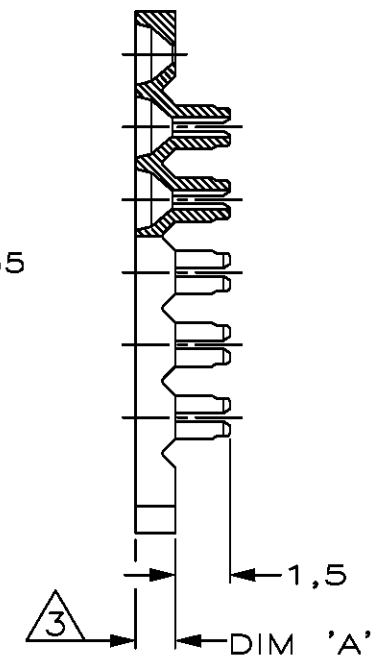
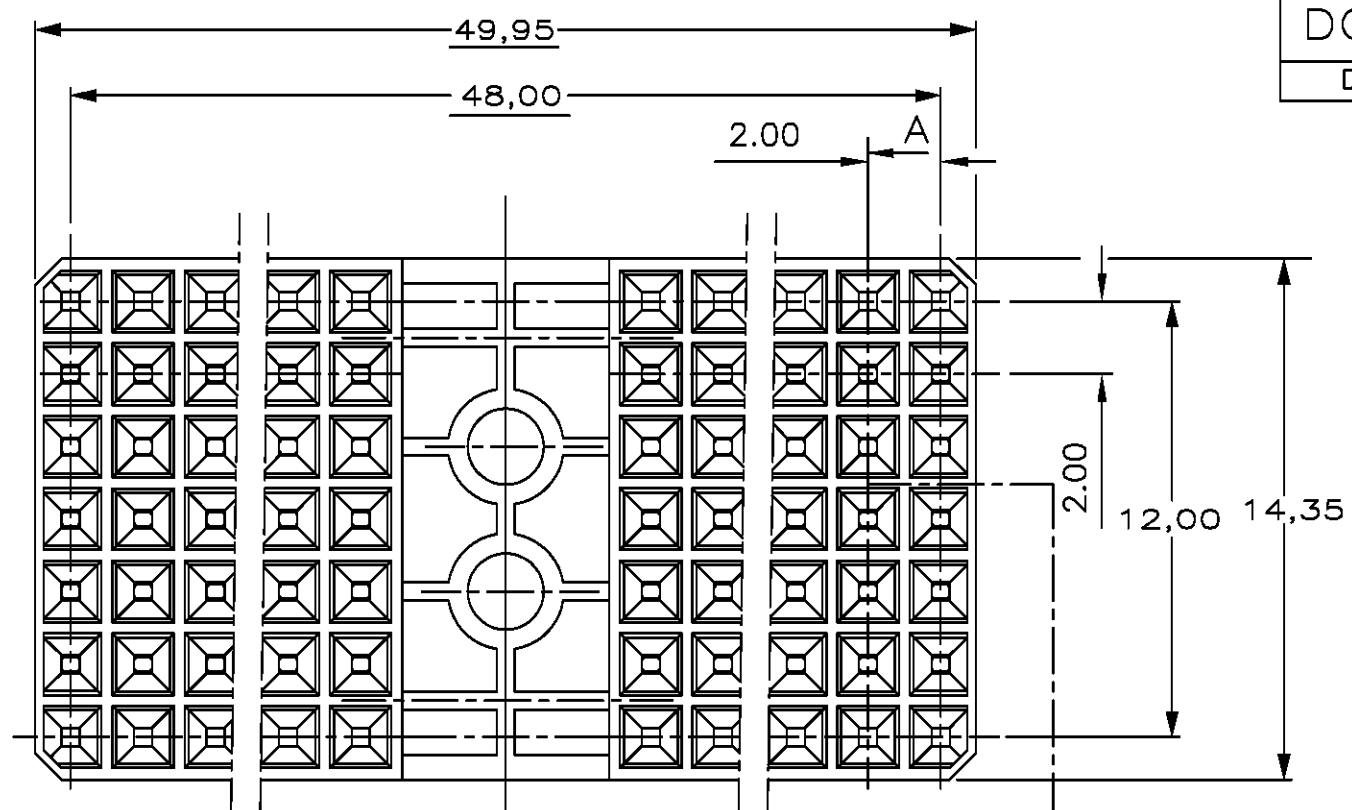
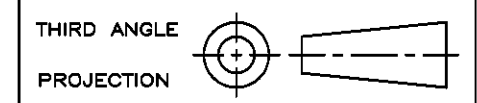


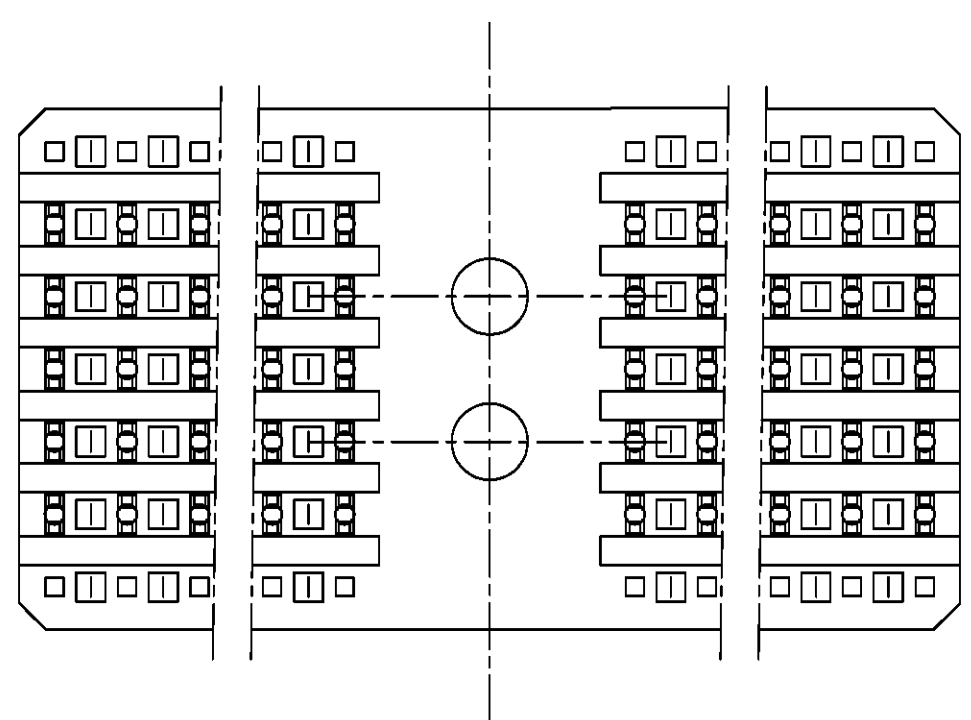
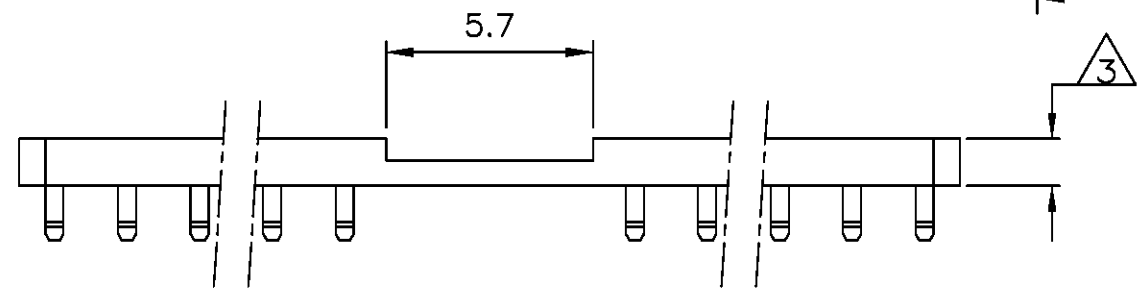
DO NOT SCALE
DIMENSIONS IN mm

METRIC



NOTES:

1. MATERIAL: UNFILLED POLYESTER.(GREY)
2. 0-106457-4 AS SHOWN.
3. VARIABLE HEIGHT.
4. TO DETERMINE THE RECOMMENDED SPACER-THICKNESS FOR A GIVEN PCB THICKNESS: SEE APPLICATION SPECIFICATION 114-19031.



PARTNUMBER	△ DIM "A"
0-106457-1	0,7
0-106457-2	0,9
0-106457-3	1,1
0-106457-4	1,3
0-106457-5	1,5
0-106457-6	1,7
0-106457-7	1,9

-	-	-	-	-	CUSTOMER DRAWING FOR REFERENCE ONLY WILL NOT BE UPDATED	
-	-	-	-	-	© COPYRIGHT 1994 BY AMP HOLLAND B.V. ALL INTERNATIONAL RIGHTS RESERVED.AMP PRODUCTS MAY BE COVERED BY U.S. AND FOREIGN AND/OR PATENTS PENDING. THIS DRAWING IS UNPUBLISHED RELEASED FOR PUBLICATION _____,19____	
D	SR10-0062-01	DKB	FvK	28-FEB-01	Tyco Electronics Corp. Oostkamp, Belgium.	NAME
C	EH-0682-97	LvdH	FvK	24 JUN'97		
B	EH-0304-94	JvdK	RA	8-AUG-94		
A	EH-0649-93	LvdH	DS	21 SEP'93		
O	EH-0417-93	LvdH	DS	29 JUN'93		
LTR.	REVISION RECORD	DR.	CHK.	DATE	Z-PACK 2mm HM SPACER TYPE A	
DR.:	L.V.D.HEIJDEN	CHK.:	F.V.KONINGSBRUGGE	APP.:	F.V.KONINGSBRUGGE	DWG.No.
DATE:	29 JUNE 1993	DATE:	24 JUN 1997	DATE:	24 JUN 1997	C-106457
						REV.LTR.
						D
						SHEET
						1 OF 1
						A3